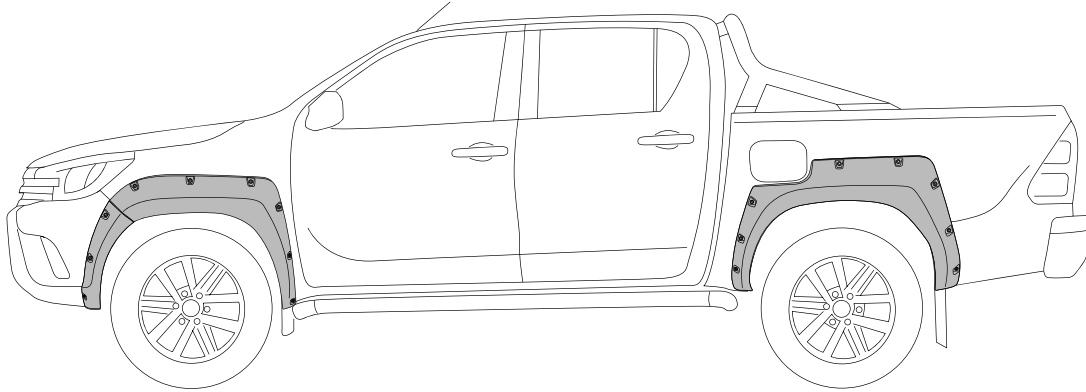


FENDER FLARES INSTALLATION INSTRUCTIONS

TOYOTA HILUX A-DECK 2015



NOTES:

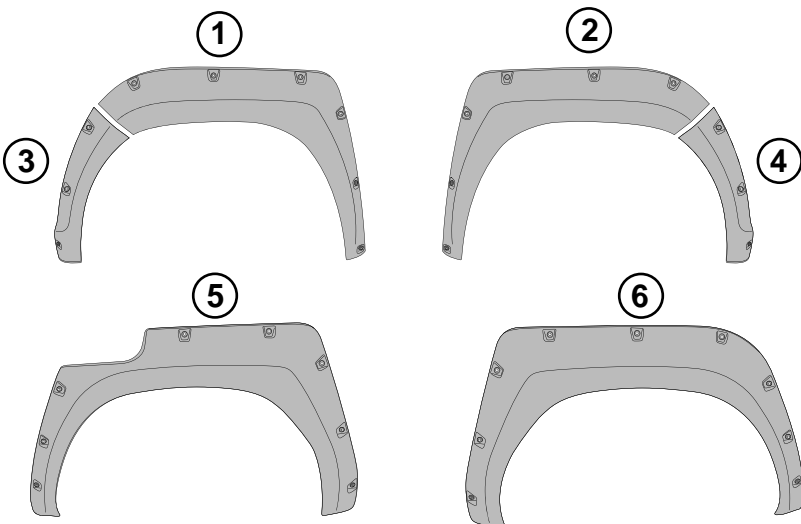
- Ensure that both left and right hand Fender Flares suit the profile of the vehicle. Note the areas where the Fender Flares come in contact with the vehicle.
- Before fitting Fender Flares remove any mouldings, strips or existing flares from the wheel arch. If there is a body side moulding, mark where the moulding is to be cut, alternatively the Fender Flares can be cut to go around the moulding. Be sure to allow enough room for the extrusion.
- Read instructions carefully. This product must be installed exactly as specified in these instructions. Failure to do so may result in improper fit and/or retention.

TOOLS REQUIRED

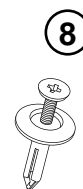
- Phillips head Screwdriver.
- Flat head Screwdriver.
- Non Permanent Marker / Metal Scribe.
- 10mm Socket or Spanner
- Masking Tape
- Mild Soapy Water & Clean Cloths.

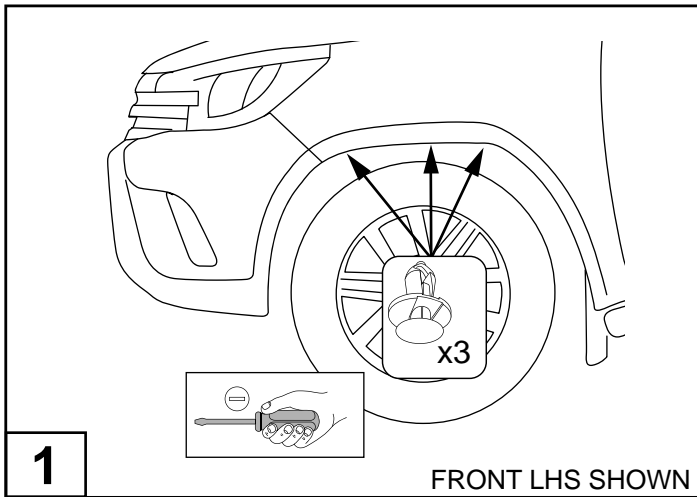
COMPONENTS LIST

PARTS IN FITTING KIT



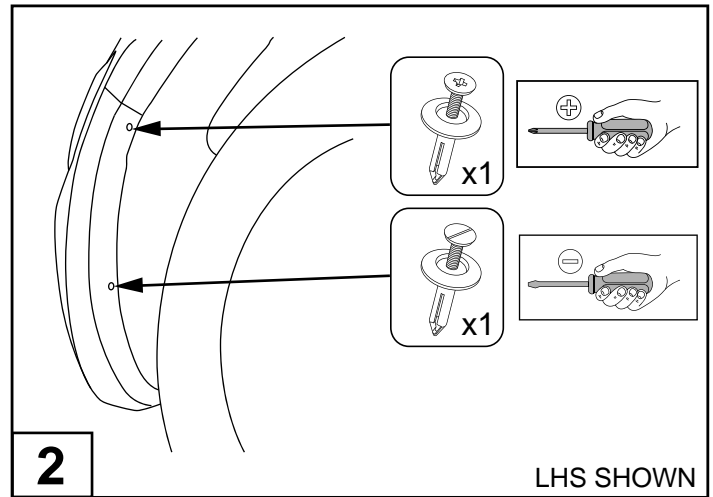
| NO. | COMPONENT | QTY |
|-----|---------------------------|-----|
| 1 | Front LHS Fender Flare | 1 |
| 2 | Front RHS Fender Flare | 1 |
| 3 | Front LHS Bumper Flare | 1 |
| 4 | Front RHS Bumper Flare | 1 |
| 5 | Rear LHS Fender Flare | 1 |
| 6 | Rear RHS Fender Flare | 1 |
| 7 | Screw | 16 |
| 8 | Scrivet | 2 |
| 9 | Installation Instructions | 1 |



**1**

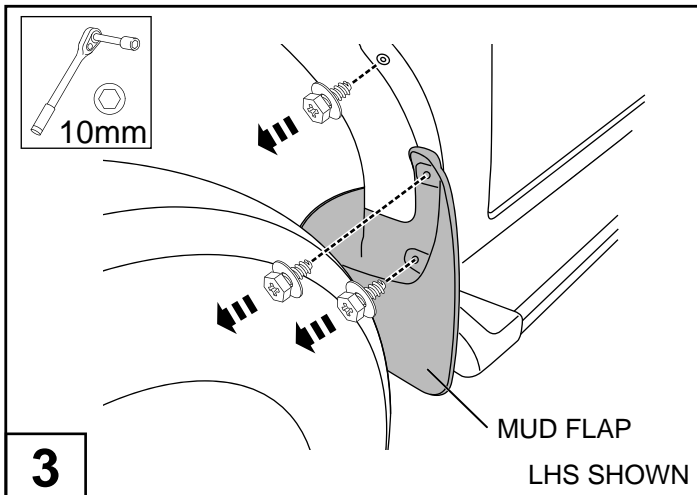
FRONT LHS SHOWN

Using flat head screwdriver remove and retain the 3 plastic scrivenets from the front fender as shown.

**2**

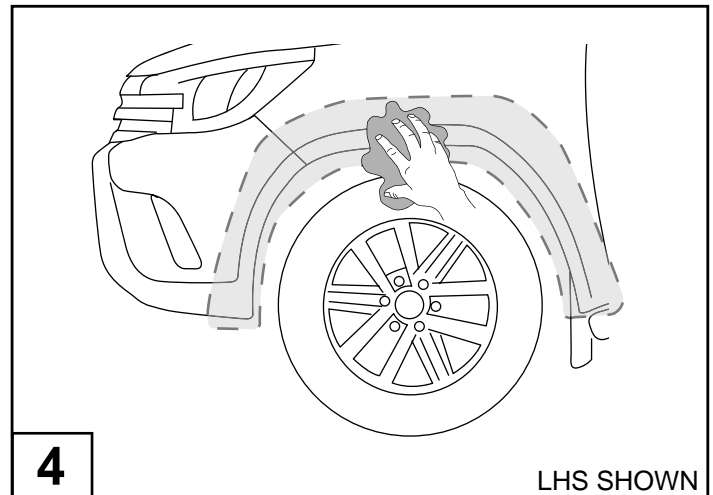
LHS SHOWN

Using Phillips head screwdriver remove and discard the top scrivenet from the front bumper bar inner arch. Using flat screwdriver remove and discard the lower plastic scrivenet as shown.

**3**

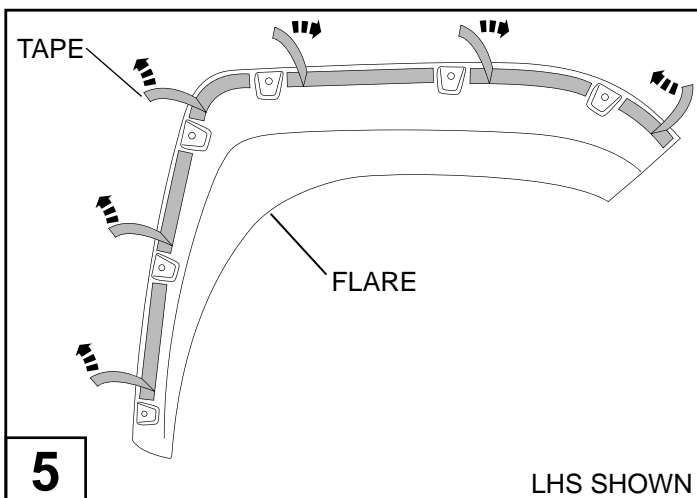
LHS SHOWN

Remove and discard the 2 screws holding mud flap and 1 screw from the wheel arch as shown. Use 10mm spanner or Phillips head screwdriver. Mud flap will still remain attached to the vehicle.

**4**

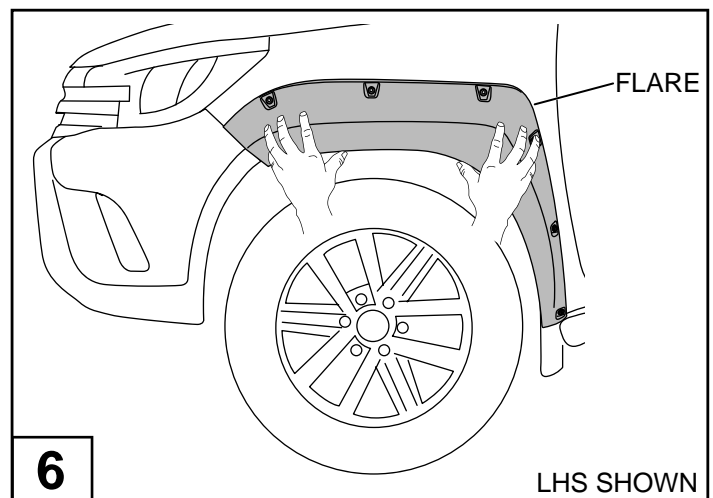
LHS SHOWN

Wash the areas of contact on the vehicle and wipe dry with a clean cloth.

**5**

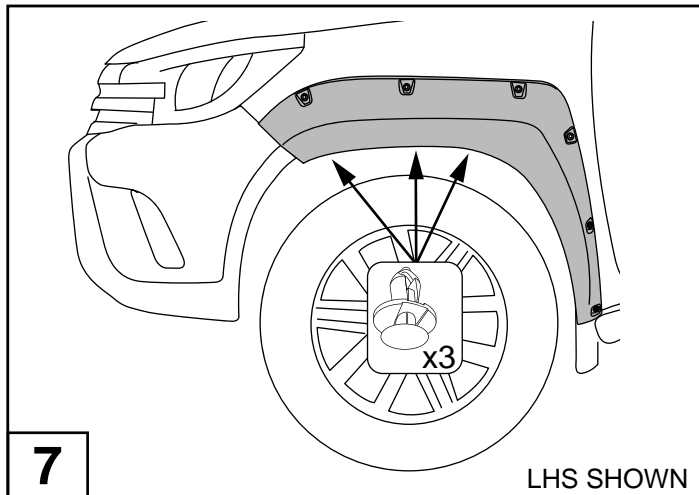
LHS SHOWN

On the inside of the fender flare remove approximately 25mm of the protective liner from all the double sided tape locations. Fold the liner over and secure with masking tape to the outside of the fender flare.

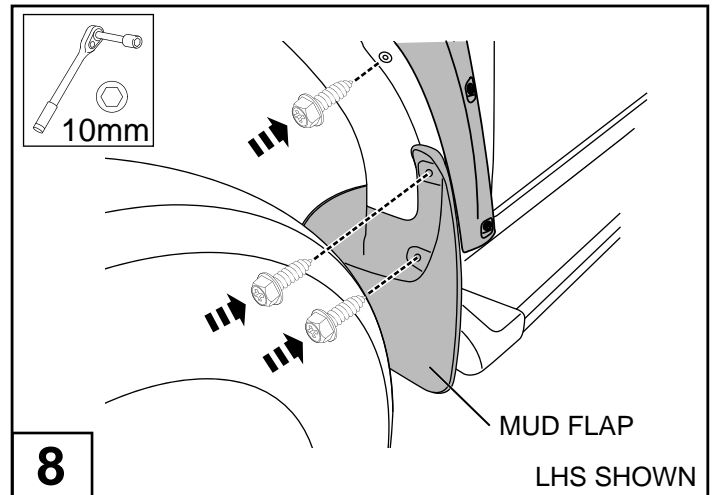
**6**

LHS SHOWN

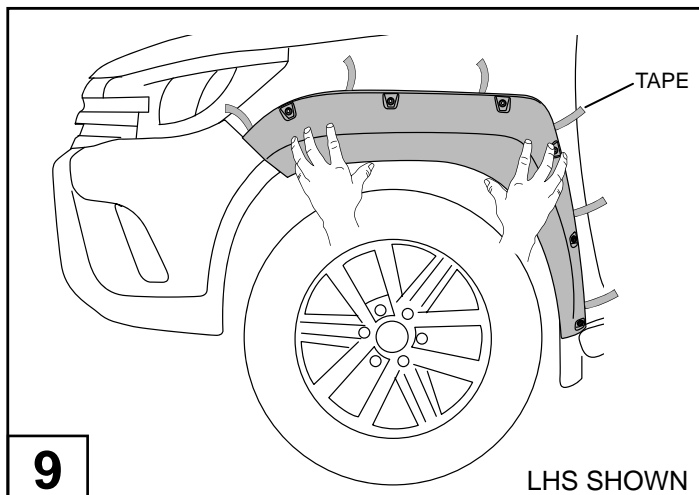
Fit the fender flare to the vehicle as shown.



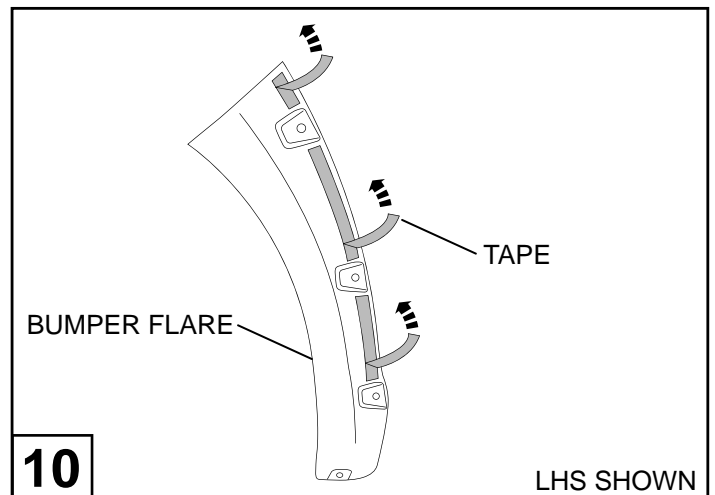
While pressing and holding the fender flare in position of best fit, secure the fender flare with 3 plastic scrivenets previously removed in step 1.



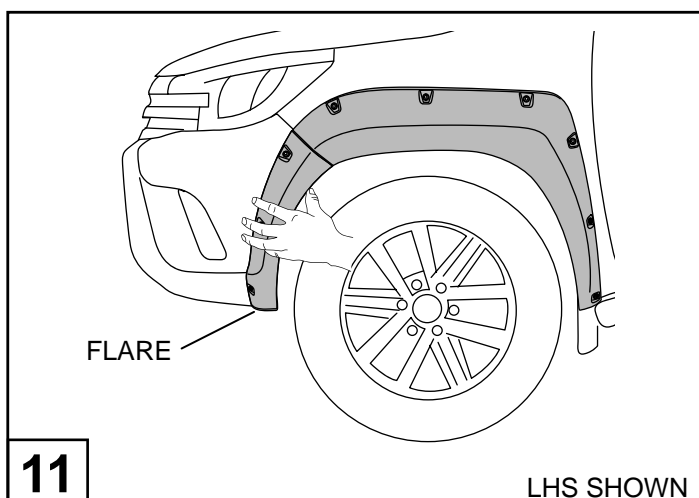
Using 10mm spanner or Phillips head screwdriver secure the mud flap and fender flare using 3 new screws supplied.



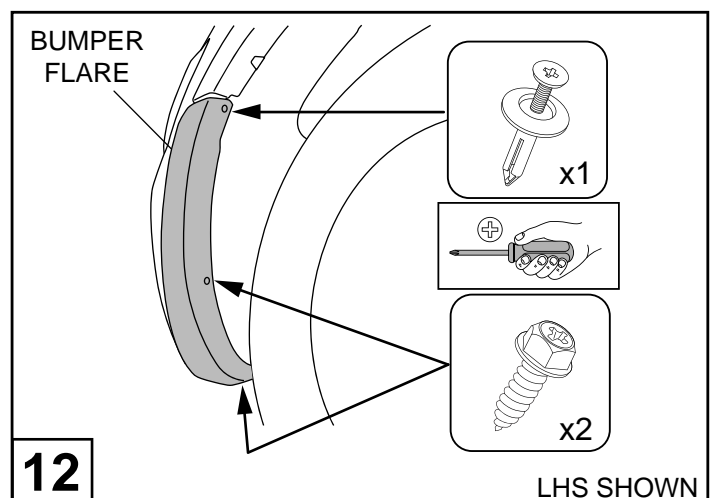
Once the fender flare is fitted, pull all exposed liners at right angle to flares. Apply pressure around edge of the fender flare to achieve proper adhesion.



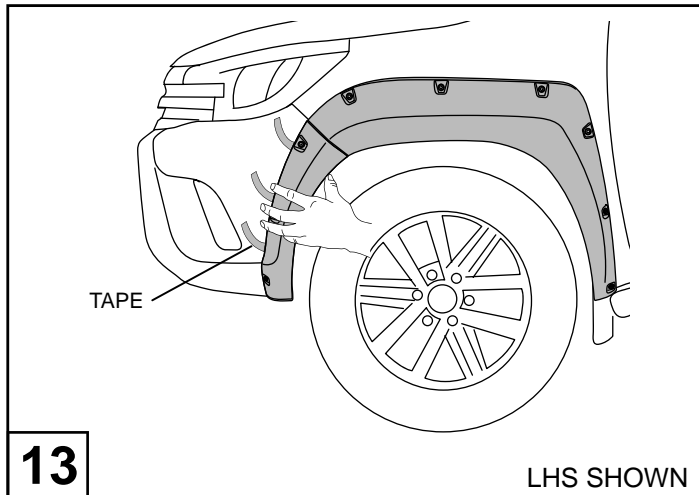
On the inside of the bumper flare remove approximately 25mm of the protective liner from the double sided tape locations. Fold the liner over and secure with masking tape to the outside of the bumper flare.



Fit the bumper flare to the vehicle as shown.

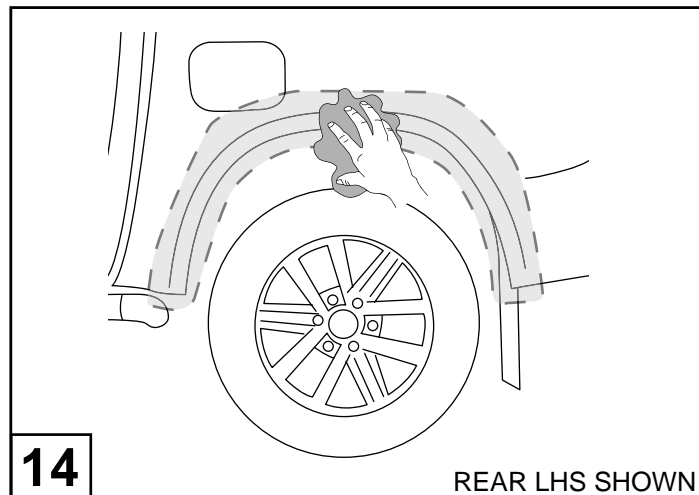


Using 10mm spanner or Phillips head screwdriver secure the bumper flare with 1 new scrivenet and 2 new screws supplied, as shown.

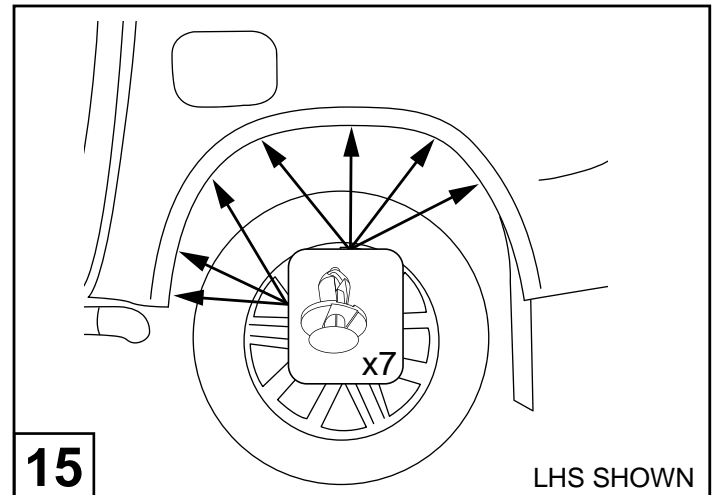


Once the bumper flare is fitted, pull all exposed liners at right angle to flares. Apply pressure around edge of the bumper flare to achieve proper adhesion.

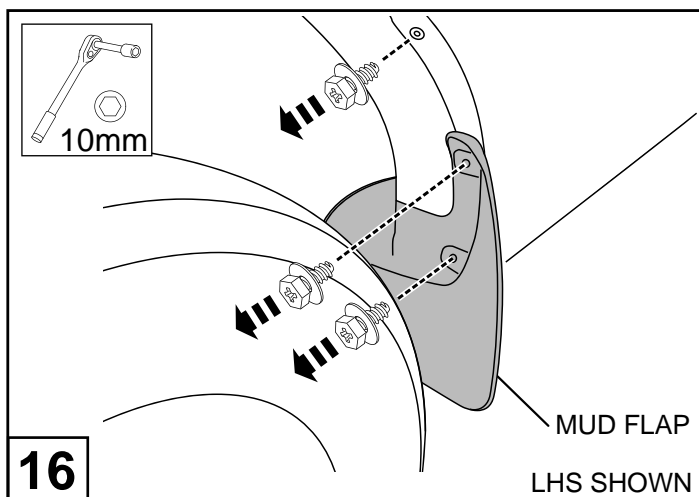
CONTINUE WITH STEP 14 FOR THE REAR FENDER FLARE INSTALLATION



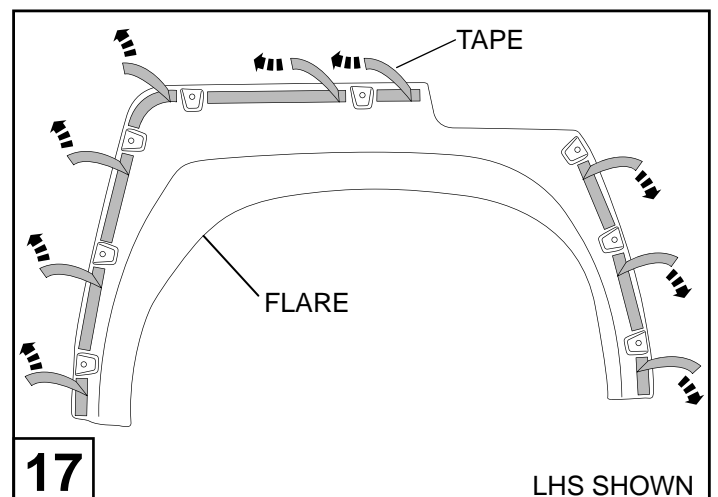
Wash the areas of contact on the tub as shown and wipe dry with a clean cloth.



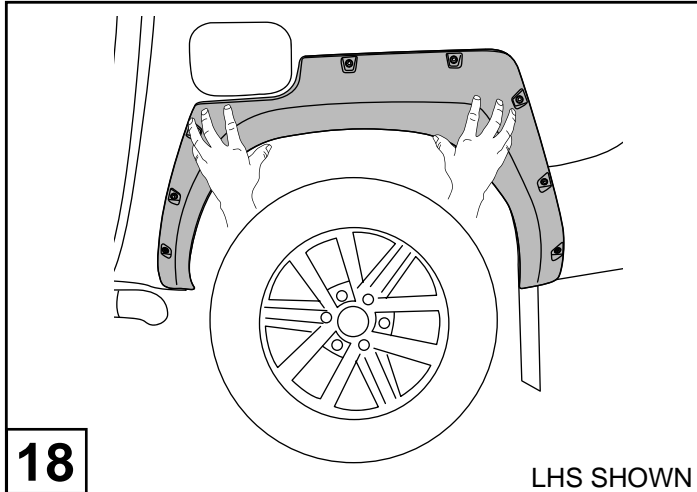
Using flat head screwdriver remove and retain the 7 plastic scrivenets from the rear fender as shown.



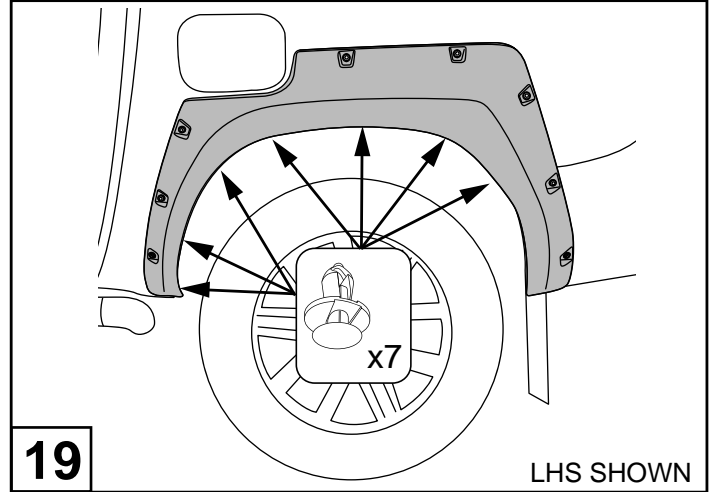
Remove and discard the 2 screws holding mud flap and 1 screw from the wheel arch as shown. Use 10mm spanner or Phillips head screwdriver. Mud flap will still remain attached to the vehicle.



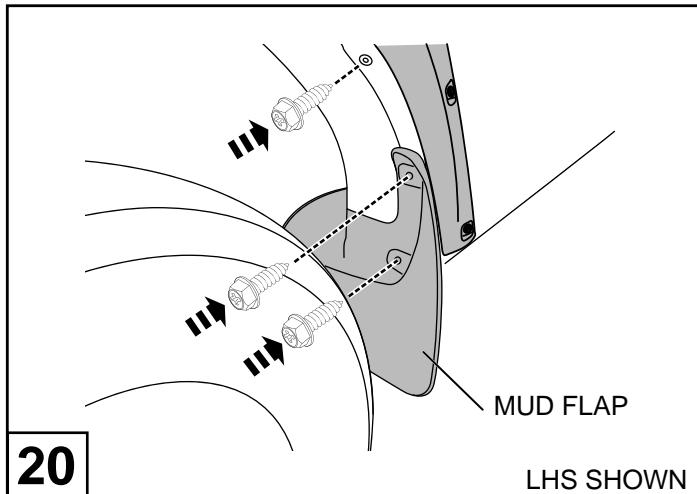
On the inside of the fender flare remove approximately 25mm of the protective liner from the double sided tape locations. Fold the liner over and secure with masking tape to the outside of the fender flare.



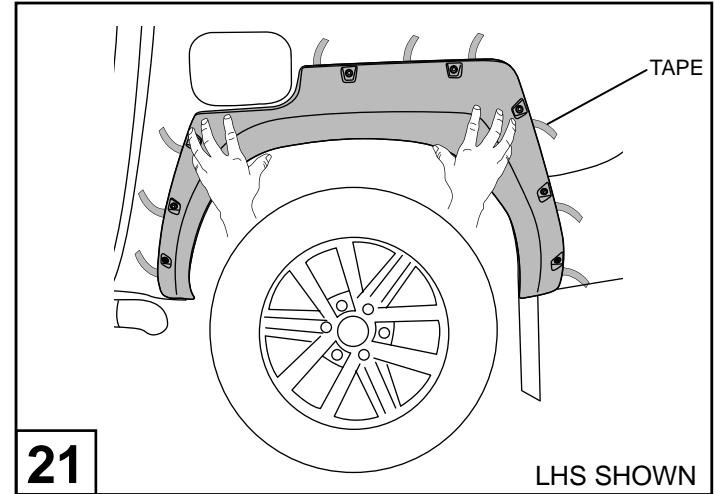
Fit the fender flare to the vehicle as shown.



While pressing and holding the flare in position of best fit, secure the fender flare with 7 plastic scrivets previously removed in step 15.



Using 10mm spanner or Phillips head screwdriver secure the mud flap and fender flare using 3 new screws supplied.



Once the fender flare is fitted, pull exposed liners at right angles to flare. Apply pressure around edge of fender flare to achieve proper adhesion.

FOR THE RHS FENDER FLARES INSTALLATION REPEAT STEPS 1 TO 21